

Cu-Wave™ AW200-C PAM4 DSP for 1.6T Active Electrical Cable (AEC)

8x200G PAM4 DSP Retimer

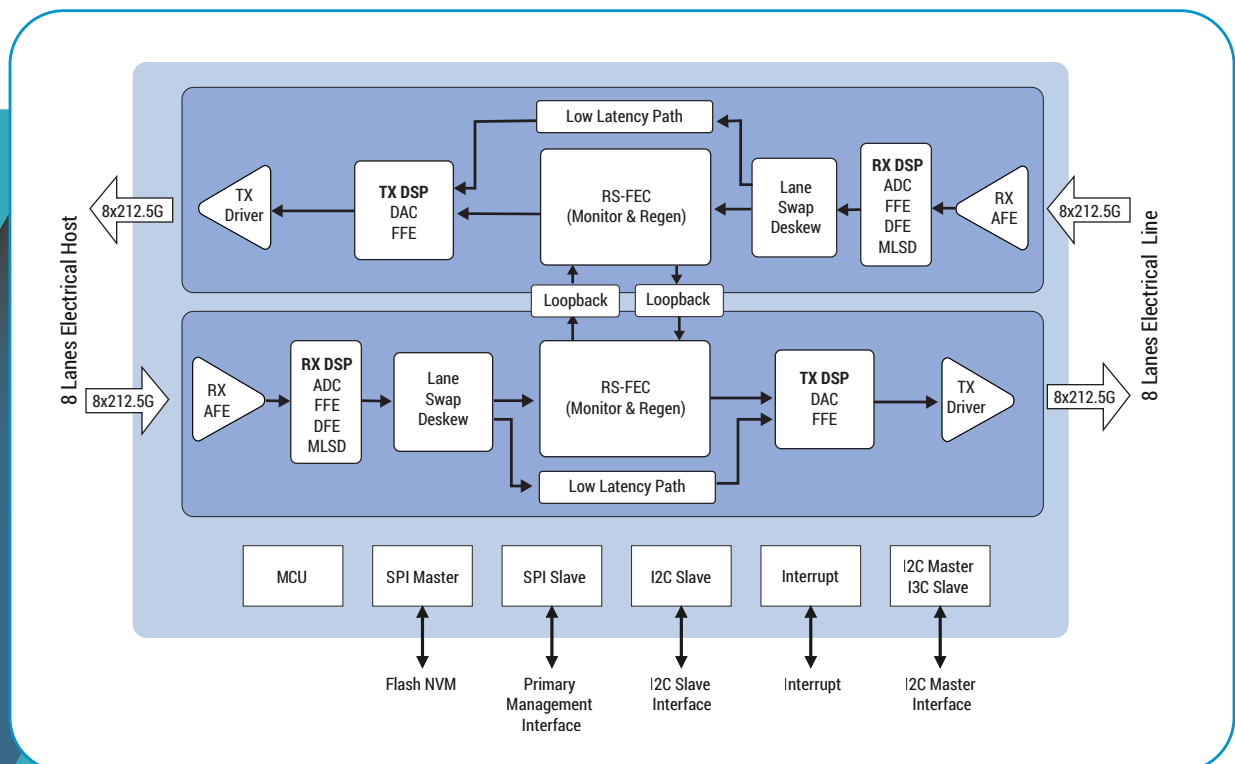
Overview

The AW200-C is a PAM4 Digital Signal Processor (DSP) for driving Active Electrical Cable applications of up to 3m. The AW200-C can equalize up to 40dB of loss (measured bump-bump) on both the host-side and line-side interface. The AW200-C is fabricated in an advanced 3nm CMOS technology node and is offered as Known Good Die (KGD). Alphawave Semi offers a full reference design for 1.6T AEC.

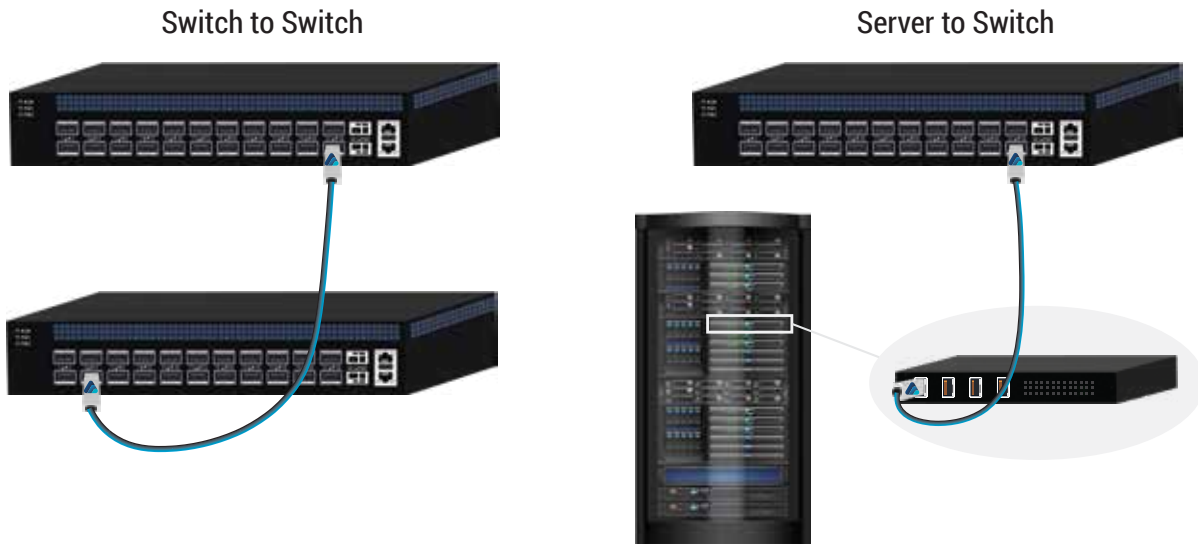
Features

- WidEye™ DSP technology
- EyeQ™ diagnostic and monitoring capabilities
- Full XBAR support to ease layout

Figure1: Cu-Wave AW200-C Functional Block Diagram



Applications



Technical Specifications

200G with two generation backwards compatibility (100G and 50G)

Compliant to IEEE 802.3 df/dj Standard

Long Reach (LR) reach capability (40dB bump-bump)

PRBS gen/checker

EyeQ™ Diagnostics and Monitoring: FEC error, EYE, SNR, Host/Line Loopback

Available as Known Good Die (KGD)

KP4 FEC Decode and Encode

For more technical details, please contact our sales at info@awavesemi.com.



Alphawave Semi™ is a global leader in high-speed connectivity for the world's technology infrastructure. Our IP and custom silicon solutions meet the needs of worldwide tier-one customers in data centers, compute, networking, AI, 5G, autonomous vehicles, and storage.

To find out more about Alphawave Semi™, visit: www.awavesemi.com