

O-Wave™ AW200-T PAM4 Optical DSP for 1.6T LRO Optical Transceiver Applications

8x200G TX only PAM4 Optical DSP Retimer

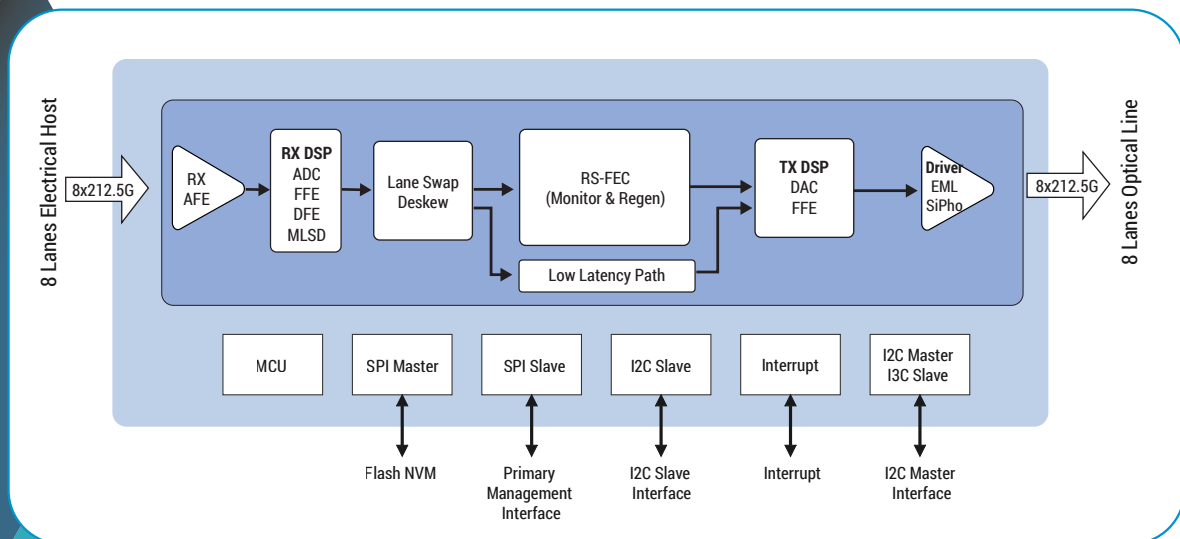
Overview

The AW200-T is a transmit only Digital Signal Processor (DSP) for PAM4 optical applications. On the host interface, the device can equalize over 40dB of loss measured bump-bump. The line side transmit interface features optional laser drivers. The AW200-T is fabricated in an advanced 3nm CMOS technology node and is offered as a Known Good Die (KGD).

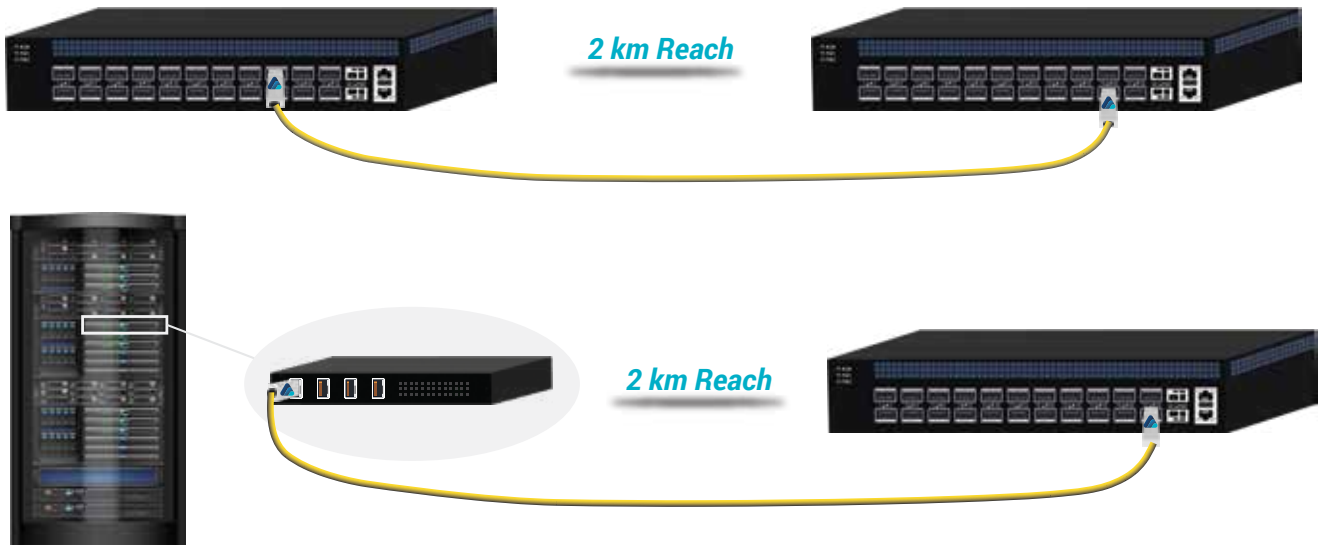
Features

- WidEye™ DSP technology
- EyeQ™ diagnostic and monitoring capabilities
- Integrated Laser Driver support for EML & SiPho
- Independent clocking per lane for breakout mode support
- Full XBAR to ease layout

Figure1: O-Wave AW200-T Functional Block Diagram



Applications



Technical Specifications

EyeQ™ diagnostic and monitoring: FEC error, EYE, SNR, Host/Line Loopback

Compliant with IEEE 802.3df and IEEE 802.3dj

KP4 FEC Decode and Encode

PRBS gen/checker

1.6TbE, 2x800GbE applications

Available as Known Good Die (KGD)

For more technical details, please contact our sales at info@awavesemi.com.



Alphawave Semi™ is a global leader in high-speed connectivity for the world's technology infrastructure. Our IP and custom silicon solutions meet the needs of worldwide tier-one customers in data centers, compute, networking, AI, 5G, autonomous vehicles, and storage.

To find out more about Alphawave Semi™, visit: www.awavesemi.com